

LEGAL INFORMATION

PART OF
LOT 22 CONCESSION 4
IN THE
MUNICIPALITY OF
STRATHROY-CARADOC
COUNTY OF MIDDLESEX

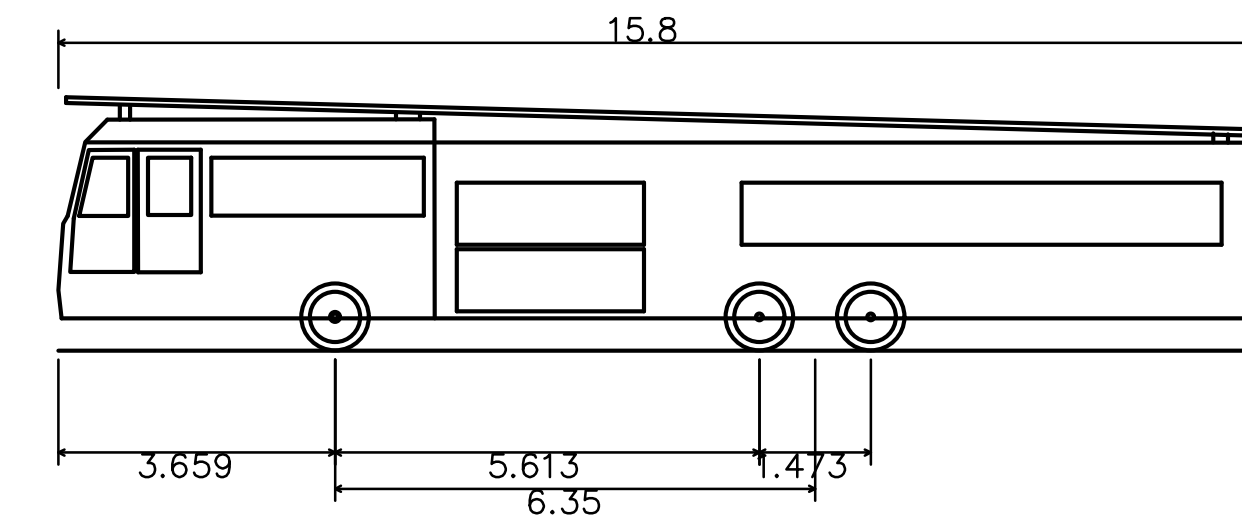
PART OF
PLAN M28 LOT 18
IN THE
MUNICIPALITY OF
STRATHROY-CARADOC
COUNTY OF MIDDLESEX

LEGEND:

- VEHICLE BODY PATH ENVELOPE
- VEHICLE WHEEL PATH ENVELOPE

NOTES:

1. THE DESIGN OF THE PROPOSED VEHICLE PATHS WAS COMPLETED USING THE AUTODESK VEHICLE TRACKING - VEHICLE SWEEP PATH ANALYSIS SOFTWARE WITH THE VEHICLE MODELS SHOWN.
2. VEHICLE PROFILES SHOWN ARE FOR DIMENSION ILLUSTRATION ONLY AND MAY NOT BE ACCURATE VISUAL REPRESENTATIONS OF THE VEHICLE STYLES.



STRATHROY LADDER TRUCK

Overall Length	15.800m
Overall Width	2.540m
Overall Body Height	3.353m
Min Body Ground Clearance	0.425m
Track Width	2.540m
Lock-to-lock time	6.00s
Max Wheel Angle	35.00°

AS CONSTRUCTED SERVICES	COMPLETION	No.	REVISIONS	D/M/Y	BY	CONSULTANT
	DESIGN	JBL				 PLANNING - CIVIL - STRUCTURAL - MECHANICAL - ELECTRICAL 1599 Adelaide St. N, Unit 301, London, Ontario, N5X 4E8 Tel: (519) 471-6667 Fax: (519) 471-0034 Email: sbm@sbmltd.ca
	DRAWN	JBL				
	CHECKED	JBL				
	APPROVED	RF				
	DATE	19/08/2025				
	CAD	24-2255				

ENGINEER'S STAMP	ENGINEER'S STAMP	CLIENT
		 9644 TOWNSEND LINE KERWOOD, ON NOM 2B0

SCALE	TITLE
SCALE - 1:400 	TRUCK TURNING MOVEMENT PLAN PROPOSED RESIDENTIAL DEVELOPMENT 101 HULL ROAD & 6 LOCKE HEIGHTS STRATHROY, ON.

PROJECT No.	SHEET No.	PLAN FILE No.
SBM-24-2255	TTM	