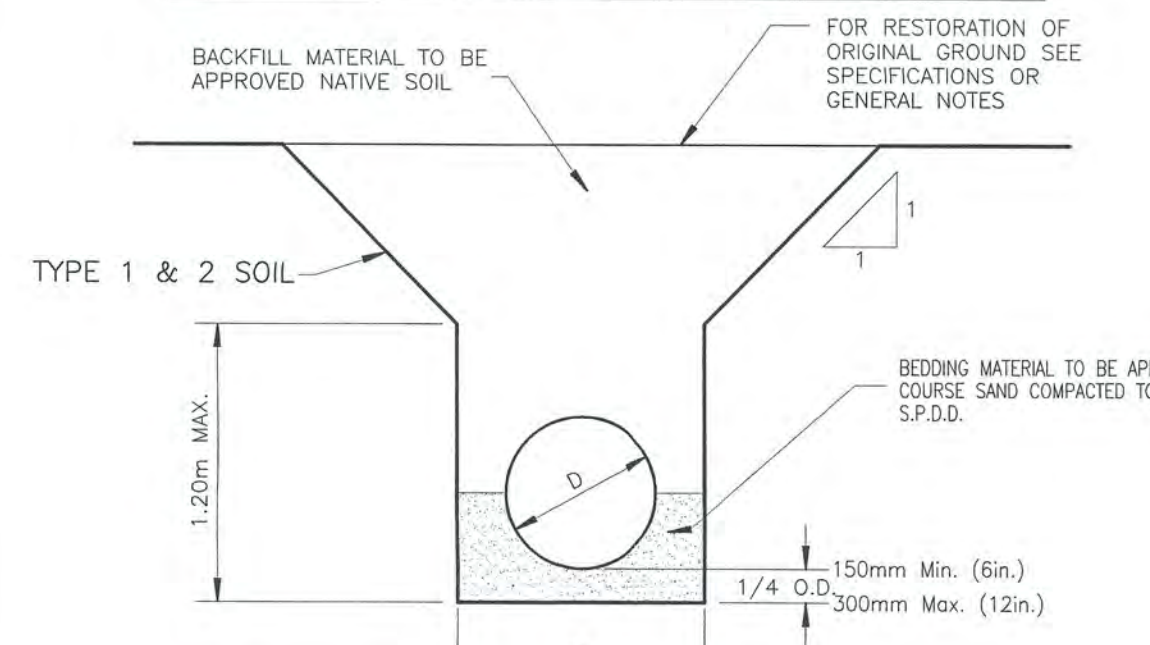


MAIN DRAIN PROFILE

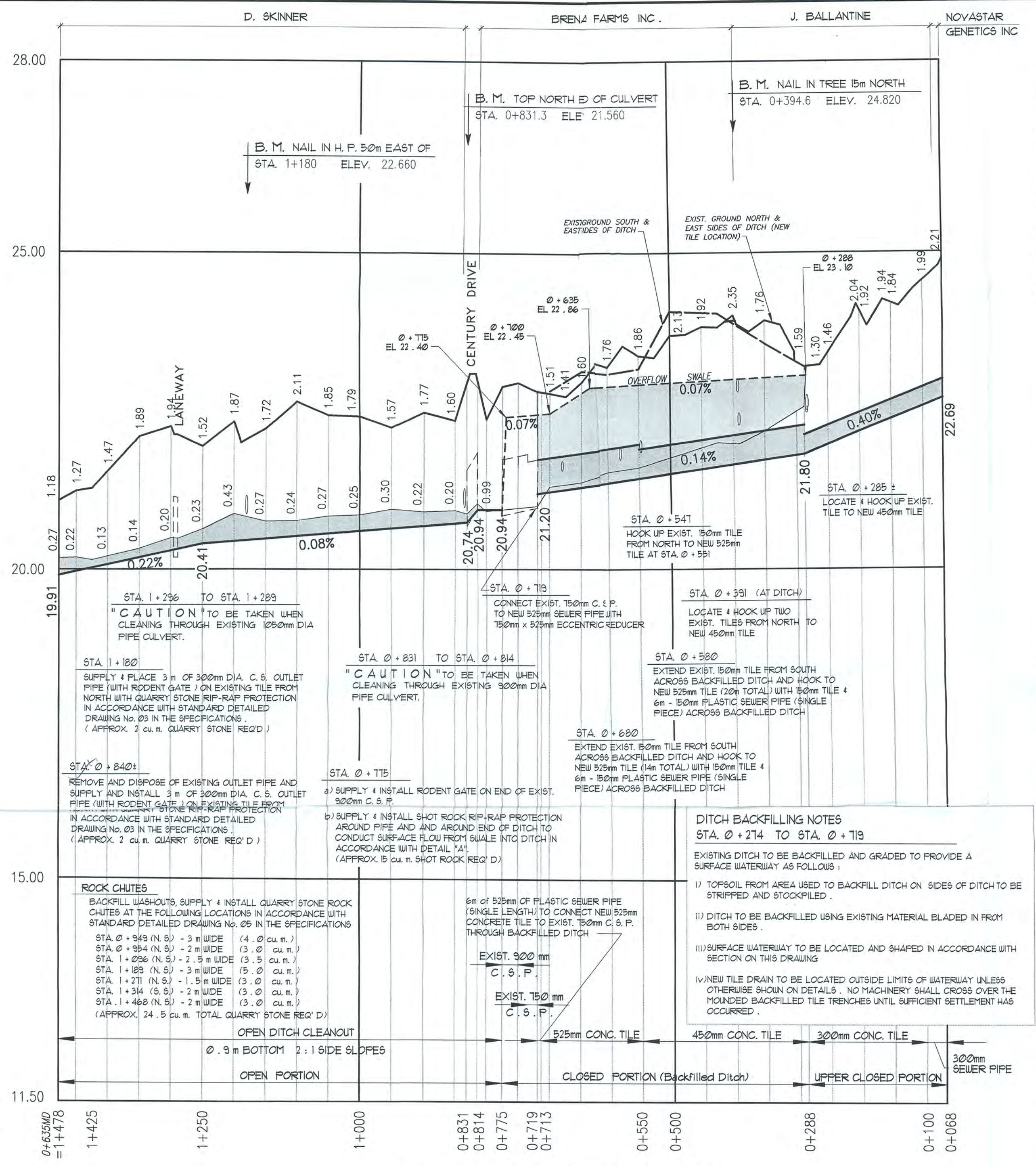


DETAIL "B" N.T.S.

D = INSIDE DIAMETER
 W = O.D. + 600mm FOR O.D. ≤ 900mm
 W = O.D. + 750mm FOR O.D. > 900mm

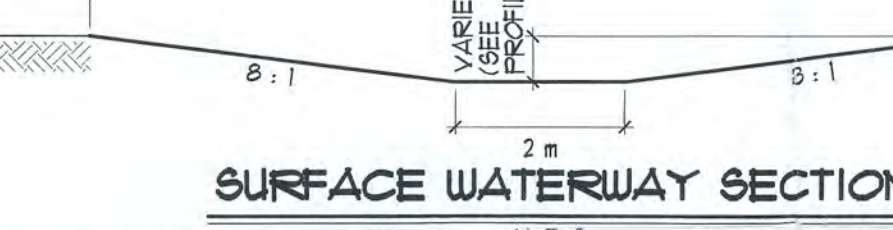
GENERAL NOTES

- OUR SPECIFICATIONS DATED NOVEMBER 2000 APPLY TO THIS PROJECT.
- THE WORKING WIDTH AVAILABLE TO THE CONTRACTOR TO CONSTRUCT THE NEW DRAINS SHALL CONSIST OF THOSE LANDS IMMEDIATELY ADJACENT TO THE DRAIN AND CONNECTIONS AND SHALL NOT EXCEED THE FOLLOWING AVERAGE WIDTHS:
 OPEN PORTIONS - 18 METERS (INCLUDING 3m BUFFER)
 BACKFILLING OF DITCH - 20 METERS EACH SIDE PLUS DITCH CLOSED PORTION
 CLOSED PORTION (UPSTREAM OF BACKFILLED DITCH) - 15 METERS
 EXTENDING BEYOND THE BACKFILLING WORKING WIDTH
 THE WORKING WIDTH FOR PURPOSES OF FUTURE MAINTENANCE SHALL BE THE SAME AS ABOVE EXCEPT FOR CLOSED PORTIONS UPSTREAM OF BACKFILLED DITCH (NOT THROUGH BUSH) SHALL BE 10m.
- ALL OWNERS ALONG THE COURSE OF THE DRAIN SHALL MAKE AN ACCESS ROUTE FROM THE NEAREST ROAD TO THE DRAIN LOCATION AVAILABLE TO THE CONTRACTOR THE AVERAGE WIDTH OF THIS ROUTE SHALL NOT EXCEED 8 METERS. THE ACCESS ROUTE SHALL ALSO APPLY FOR FUTURE MAINTENANCE PURPOSES.
- ALL UTILITIES TO BE LOCATED AND EXPOSED PRIOR TO CONSTRUCTION SO THAT THE NEW TILE GRADES CAN BE CONFIRMED. IF THERE IS A CONFLICT IN ELEVATION BETWEEN THE PROPOSED DRAIN AND THE UTILITY, THE ENGINEER IS TO BE NOTIFIED IMMEDIATELY.
 b) CONTRACTOR TO NOTIFY ALL UTILITIES 12 HOURS PRIOR TO HIS SCHEDULED TIME FOR STARTING THE ABOVE WORK.
- ALL TREES, SCRUB, BRUSH, ETC. TO BE CLEARED AND GRUBBED IN ACCORDANCE WITH "SECTION B.3 AND C.4" SPECIFICATIONS.
- RIP-RAP TO BE SUPPLIED AND INSTALLED IN ACCORDANCE WITH "SECTION A.29" IN THE SPECIFICATIONS.
- CONTRACTOR TO ARRANGE A PRE-CONSTRUCTION MEETING WITH THE ENGINEER, DRAINAGE SUPERINTENDENT, AND THE AFFECTED OWNERS. ALL PARTIES SHALL RECEIVE 48 HOURS NOTICE TO THE MEETING.



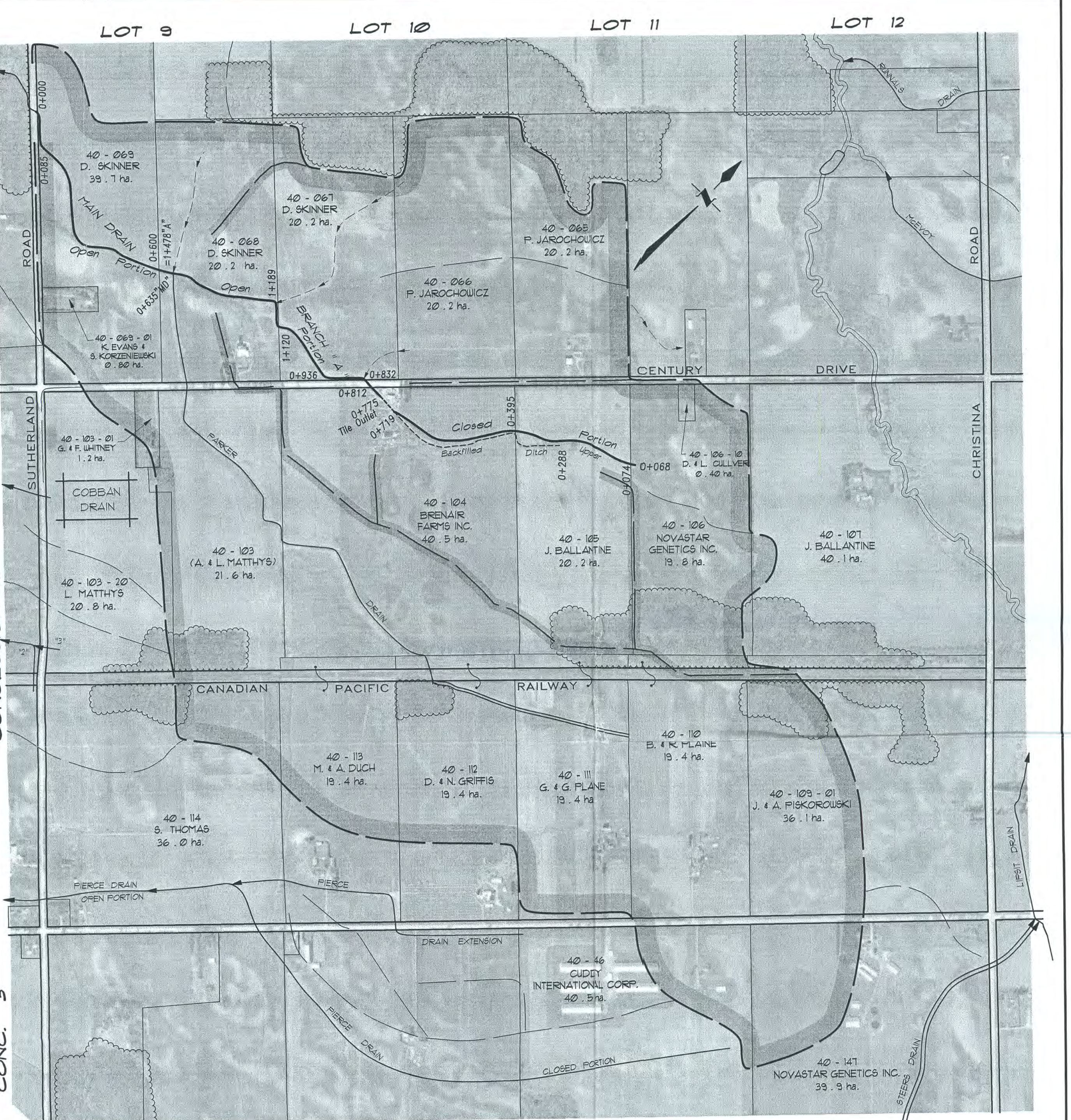
BRANCH "A" PROFILE

PROFILE SCALES: HOR. 1: 5,000
 VERT. 1: 50

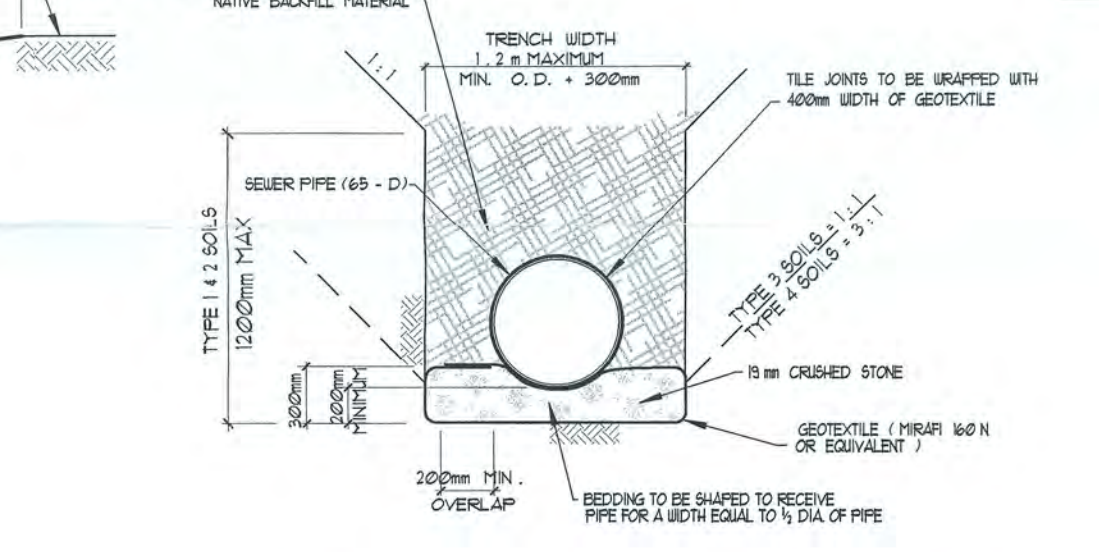


SURFACE WATERWAY SECTION N.T.S.

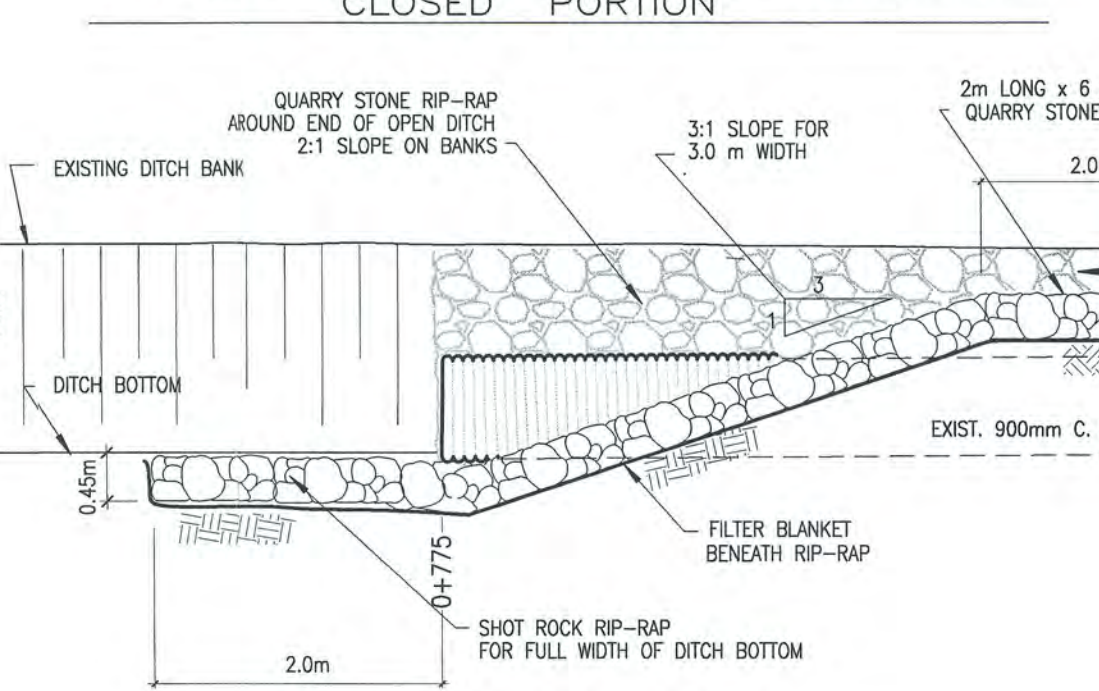
- OPEN PORTIONS**
- EXISTING DITCH BOTTOM ONLY TO BE CLEANED OUT IN ACCORDANCE WITH "SECTION B.4" IN THE SPECIFICATIONS UNLESS OTHERWISE NOTED ON PROFILES AND IN SECTIONS.
 - EXCAVATED MATERIAL TO BE DEPOSITED AND LEVELLED IN ACCORDANCE WITH "SECTION B.5" IN THE SPECIFICATIONS. THE WORKING SIDE OF THE DITCH SHALL BE THE SIDE WHERE THE MATERIAL IS LEVELLED AND SHALL BE DETERMINED BY THE OWNER AND DRAINAGE SUPERINTENDENT AT THE PRE-CONSTRUCTION MEETING.
 - A 3 METER WIDE BUFFER STRIP OF EXISTING AND/OR NEWLY SEEDDED VEGETATION IS TO BE INCORPORATED AND MAINTAINED BETWEEN THE TOP OF THE BANK AND THE CULTIVATED LANDS ON BOTH SIDES OF THE DITCH AT THE FOLLOWING LOCATIONS:
 a) MAIN DRAIN STA. 0 + 000 TO STA. 0 + 635 SOUTH SIDE - NO ADDITIONAL SEEDING
 b) MAIN DRAIN STA. 0 + 000 TO STA. 0 + 133 NORTH SIDE - 1m WIDTH ADDITIONAL SEEDING
 c) MAIN DRAIN STA. 0 + 133 TO STA. 0 + 635 NORTH SIDE - 2m WIDTH ADDITIONAL SEEDING
 d) BRANCH "A" STA. 0 + 115 TO STA. 1 + 478 BOTH SIDES - NO ADDITIONAL SEEDING (APPROXIMATELY 150 sq. m. SEEDING REQUIRED)
 - BUFFER STRIPS, NEWLY RECONSTRUCTED AND NEWLY EXPOSED DITCH BANKS ARE TO BE HAND SEEDED UPON COMPLETION OF CONSTRUCTION IN ACCORDANCE WITH "SECTION B.11" IN THE SPECIFICATIONS
 - SILT FENCE TO BE PLACED ACROSS DITCH BOTTOM AT STA. 0 + 000 MAIN DRAIN DURING CONSTRUCTION TO PREVENT SILT FROM FLOODING DOWNSTREAM. SILT FENCE AND SILT TO BE REMOVED AND DISPOSED OF AFTER CONSTRUCTION.
 - STATIONS 0 + 850 BRANCH "A" 4 0 + 000 MAIN DRAIN CONSTRUCT EROSION BASIN IN DITCH BOTTOM FOR FULL WIDTH OF DITCH BOTTOM AT EACH LOCATION. SEDIMENT BASIN TO BE 450mm DEEP WITH PARABOLIC SHAPE AND 15m LONG.
- CLOSED PORTIONS**
- ALL CONCRETE AND PLASTIC TILE AND PIPE TO CONFORM TO "SECTION C.1" IN THE SPECIFICATIONS. PLASTIC SEWER PIPE SHALL BE "BIG 'O'" POLY-TITE™ OR APPROVED EQUALS. CONCRETE TILE SHALL BE HEAVY DUTY.
 - NEW TILE DRAIN TO BE LOCATED ON NORTH SIDE OF DITCH AND AS SHOWN ON PLAN. EXACT LOCATION OF NEW DRAIN TO BE DETERMINED AT TIME OF CONSTRUCTION BY DRAINAGE SUPERINTENDENT OR ENGINEER.
 - INSTALLATION OF TILE AND TRENCH WIDTHS SHALL BE IN ACCORDANCE WITH "SECTION C.1" TILE DRAIN IN THE SPECIFICATIONS.
 b) NO MACHINERY SHALL CROSS OVER THE ROUNDED BACKFILLED TILE TRENCHES UNTIL SUFFICIENT SETTLEMENT HAS OCCURRED.
 c) ALL TILE AND TILE-PIPE JOINTS TO BE WRAPPED WITH GEOTEXTILE IN ACCORDANCE WITH "SECTION C.8" IN THE SPECIFICATIONS.
 d) SEWER PIPE FROM STA. 0 + 100 TO STA. 0 + 068 MAY BE CONCRETE OR PLASTIC. IF PLASTIC IS USED THEN IT SHALL BE INSTALLED IN ACCORDANCE WITH DETAIL "B".
 - IT SHALL BE NOTED THAT AREAS OF POOR SOIL CONDITION WILL BE ENCOUNTERED ALONG THE COURSE OF THE DRAIN. IF SUCH CONDITIONS ARE ENCOUNTERED AND IF THE TRENCH WALLS AND/OR TRENCH BOTTOM AND/OR TRENCH BOTTOM BECOME UNSTABLE, THEN THE CONTRACTOR SHALL IMMEDIATELY CONTACT THE DRAINAGE SUPERINTENDENT OR ENGINEER.
 - IF SO ORDERED BY THE DRAINAGE SUPERINTENDENT OR ENGINEER THE CONTRACTOR SHALL INSTALL THE TILE OR PIPE ON A BEDDING OF 150mm (3/4") CRUSHED STONE THROUGHOUT THE AREA OF UNSTABLE TRENCH. THE CRUSHED STONE SHALL BE COMPLETELY UNWRAPPED IN GEOTEXTILE SUCH AS "MIRAFLEX N" OR APPROVED EQUALS. THE LIMITS OF THIS WORK SHALL BE DETERMINED BY THE DRAINAGE SUPERINTENDENT OR ENGINEER.
 - PAYMENT FOR THIS WORK SHALL BE IN ACCORDANCE WITH THE CONTINGENCY AMOUNTS SHOWN ON PAGE 3 OF THE "FORM OF TENDER".
 - PLASTIC SEWER PIPES ACROSS BACKFILLED DITCH ARE TO BE BEDDED IN ACCORDANCE WITH DETAIL "B".



PLAN SCALE 1: 1,500



BEDDING DETAIL FOR POOR SOIL CONDITIONS CLOSED PORTION



DETAIL "A" N.T.S.

PLAN LEGEND

[Symbol]	LIMIT OF WATERSHED AREA
[Symbol]	PROPOSED DRAINAGE WORKS
[Symbol]	EXTERIOR OR INTERIOR WATERSHED
[Symbol]	EXIST. DITCH TO BE BACKFILLED
[Symbol]	EXIST. PRINCIPAL DRAIN
[Symbol]	PRIVATE TILE OR SURFACE WATER RUN
[Symbol]	EXIST. WATERCOURSE OR PRIVATE DITCH
[Symbol]	ASSESSMENT ROLL NUMBER
[Symbol]	OWNERS NAME
[Symbol]	HECTARES OWNED
[Symbol]	BUSH AREA

PARKER DRAIN 2006

TOWNSHIP OF STRATHROY - CARADOC

Drainage Superintendent: MATTHEW STEPHENSON 245 - 1105

No.	REVISIONS	DATE

Drawn By: AM Date: JUNE 2, 2006
 Field Book: D - 208, 211
 JOB No: 2 0 5 0 3
 Drawing No: 1 of 1

SPRIET ASSOCIATES LIMITED CONSULTING ENGINEERS
 155 YORK STREET - LONDON (519) 672-4100 - MSA 1A8