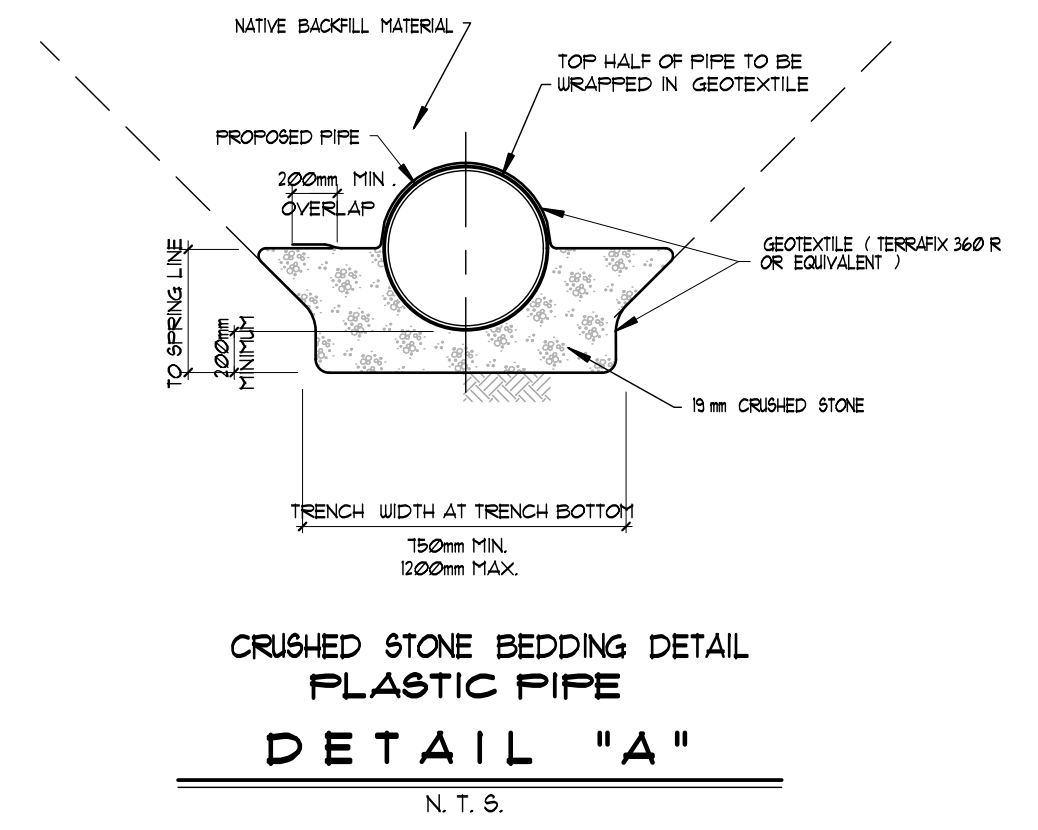
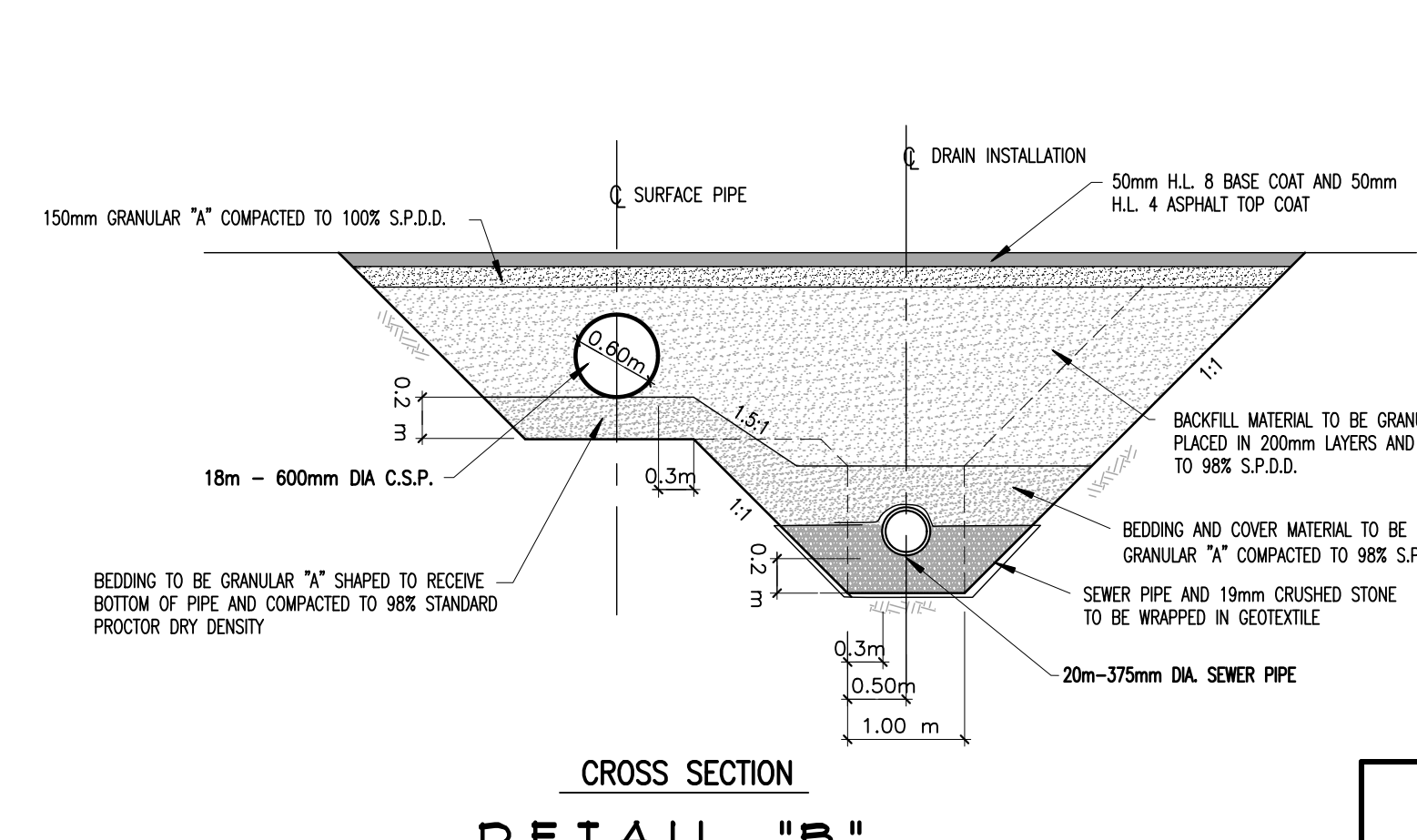
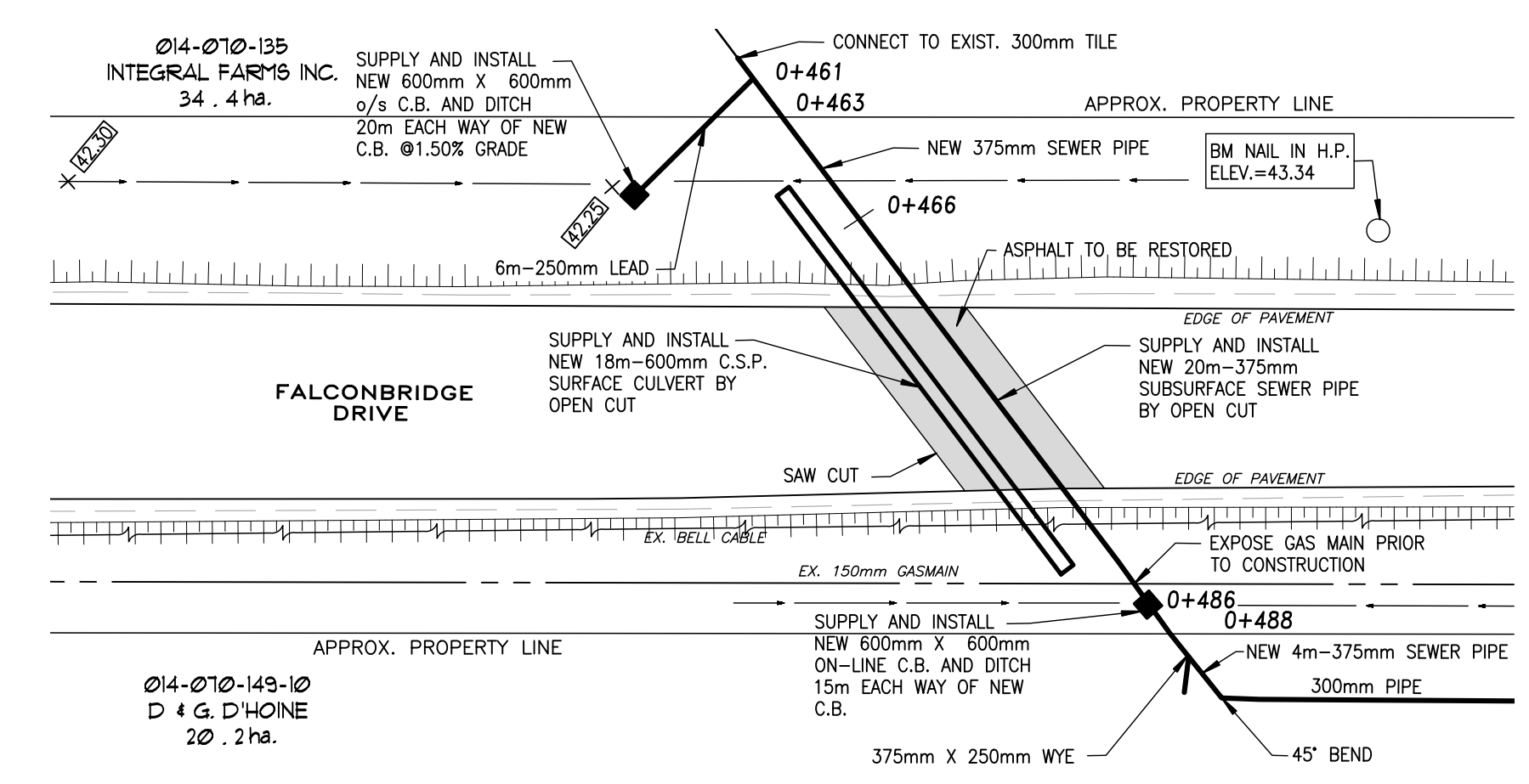


GENERAL NOTES

- OUR SPECIFICATIONS DATED JANUARY 2020 APPLY TO THIS PROJECT.
- THE WORKING WIDTH AVAILABLE TO THE CONTRACTOR TO CONSTRUCT THE NEW DRAINS SHALL CONSIST OF THOSE LANDS IMMEDIATELY ADJACENT TO THE DRAIN AND CONNECTIONS AND SHALL NOT EXCEED THE FOLLOWING AVERAGE WIDTHS:
 CLOSED PORTIONS - 2.0 METERS
 CLOSED PORTIONS (THROUGH BUSH) - 3.0 METERS (CENTERED ON THE DRAIN)
 THE WORKING WIDTH FOR PURPOSES OF FUTURE MAINTENANCE SHALL BE THE SAME AS ABOVE EXCEPT FOR CLOSED PORTIONS SHALL BE 1.0m.
- ALL OWNERS ALONG THE COURSE OF THE DRAIN SHALL MAKE AN ACCESS ROUTE FROM THE NEAREST ROAD TO THE DRAIN LOCATION AVAILABLE TO THE CONTRACTOR THE AVERAGE WIDTH OF THIS ROUTE SHALL NOT EXCEED 8 METERS. THE ACCESS ROUTE SHALL ALSO APPLY FOR FUTURE MAINTENANCE PURPOSES.
- a) ALL UTILITIES TO BE LOCATED AND EXPOSED PRIOR TO CONSTRUCTION SO THAT THE NEW TILE GRADES CAN BE CONFIRMED. IF THERE IS A CONFLICT IN ELEVATION BETWEEN THE PROPOSED DRAIN AND THE UTILITY, THE ENGINEER IS TO BE NOTIFIED IMMEDIATELY.
 b) CONTRACTOR TO NOTIFY ALL UTILITIES 12 HOURS PRIOR TO HIS SCHEDULED TIME FOR STARTING THE ABOVE WORK.
 c) THE COST FOR THIS WORK SHALL BE INCLUDED IN THE ITEM ON THE EXTENT OF WORK AND NO EXTRA PAYMENT SHALL BE MADE TO THE CONTRACTOR EXCEPT IF ROAD RESTORATION IS REQUIRED.
- ALL TREES, SCRUB, BRUSH, ETC. TO BE CLEARED AND GRUBBED IN ACCORDANCE WITH "SECTION B.3 AND C.4" SPECIFICATIONS.
- CONTRACTOR TO ARRANGE A PRE-CONSTRUCTION MEETING WITH THE ENGINEER, DRAINAGE SUPERINTENDENT, AND THE AFFECTED OWNERS. ALL PARTIES SHALL RECEIVE 48 HOURS NOTICE TO THE MEETING.
- ALL CONCRETE AND PLASTIC TILE AND PIPE TO CONFORM TO "SECTION C.1" IN THE SPECIFICATIONS.
 a) SEWER PIPE TO BE CONCRETE, H. D. P. E. PLASTIC 320 MPA (BELL & SPIGOT WITH RUBBER GASKETS, CONFORMING TO C.S.A. 1076-08), PVC ULTRA RIB OR PVC SDR 35
 b) PLASTIC PIPE SHALL BE H. D. P. E. SMOOTH WALL FLEXIBLE (COLLABLE) 25KPA OR STRONGER PIPE SUCH AS "IDEAL", "AD9", "GOLDFLEX" OR APPROVED EQUAL. TILE TO BE PERFORATED WHERE SPECIFIED.
- ALL CATCHBASINS SHALL BE SUPPLIED AND INSTALLED IN ACCORDANCE WITH "SECTION C.16" IN THE SPECIFICATIONS, EXCEPT AS FOLLOWS:
 a) ALL CATCHBASIN LEADS TO BE CONNECTED TO NEW TILE DRAIN WITH PRE-FABRICATED "WYE"
- EXACT LOCATION OF NEW DRAIN TO BE DETERMINED AT TIME OF CONSTRUCTION BY DRAINAGE SUPERINTENDENT OR ENGINEER.
 EXISTING TILE DRAINS TO BE EXPOSED IN AS MANY LOCATIONS AS ARE NECESSARY TO CONFIRM THEIR EXACT LOCATION AND ELEVATION PRIOR TO CONSTRUCTION. EXACT LOCATION OF NEW TILE DRAINS THEN TO BE CONFIRMED BY DRAINAGE SUPERINTENDENT OR ENGINEER.



- a) INSTALLATION OF TILE AND TRENCH WIDTHS SHALL BE IN ACCORDANCE WITH "SECTION C - TILE DRAIN" IN THE SPECIFICATIONS.
 b) SEWER PIPE UNDER TRAVEL PORTION OF ROADS TO BE INSTALLED IN ACCORDANCE WITH STANDARD DETAILED DRAWING NO. 02 IN THE SPECIFICATIONS.
 c) NO CONSTRUCTION EQUIPMENT OR FARM MACHINERY SHALL CROSS OVER THE MOUNDED BACKFILLED TILE TRENCHES UNTIL SUFFICIENT SETTLEMENT HAS OCCURRED.
 d) STRIP AND STOCKPILE TOPSOIL FROM CONSTRUCTION AREA (4 METRE WIDTH) EXCEPT LANEWAYS & ROADS. EXCESS SPOIL TO BE LEVELLED AND TOPSOIL RELEVELLED OVER SPOIL, MOUNDED TRENCH AND REMAINING CONSTRUCTION AREA.
 e) SMOOTH WALL PLASTIC PIPE TO BE INSTALLED WITH APPROVED DRAINAGE FLOW. IF SOLID PLASTIC PIPE IS INSTALLED WITH TRENCHER OR BACKHOE, THEN IT SHALL BE BEDDED IN ACCORDANCE WITH DETAIL "A" AND THE SPECIFICATIONS.
- a) IF IT BECOMES IMPRACTICAL TO INSTALL THE NEW TILE IN THE EXISTING TILE LOCATION DUE TO EXISTING TILE ALIGNMENT AND/OR TOO MUCH WATER FLOWING THROUGH THE TILE, THEN THE CONTRACTOR SHALL IMMEDIATELY NOTIFY THE ENGINEER AND/OR THE DRAINAGE SUPERINTENDENT.
 b) IF SO ORDERED BY THE ENGINEER AND/OR DRAINAGE SUPERINTENDENT THEN THE CONTRACTOR SHALL INSTALL THE NEW TILE IMMEDIATELY ADJACENT TO THE EXISTING TILE. AFTER CONSTRUCTION IS COMPLETED THE EXISTING TILE SHALL BE DESTROYED WITH A RUBBER TIRE BACKHOE. TILE CONNECTIONS INTO THE EXISTING TILE SHALL BE CONNECTED TO THE NEW TILE.
- a) THE CONTRACTOR SHALL ENSURE THAT ALL TRIBUTARY DRAINS ARE CONNECTED DURING TIME OF CONSTRUCTION. ANY MISSED TILE CONNECTIONS THAT ARE FOUND DURING THE WARRANTY PERIOD OF THE CONTRACT SHALL BE COMPLETED BY THE CONTRACTOR AND SHALL BE PAID THE AMOUNT SET OUT ON PAGE 2 OF THE "FORM OF TENDER". NO ADDITIONAL PAYMENT FOR MOBILIZATION WILL BE ALLOWED. THE CONTRACTOR IS NOT RESPONSIBLE FOR COMPLETING MISSED TILE CONNECTIONS THAT ARE FOUND AFTER THE WARRANTY PERIOD FOR THE CONTRACT HAS EXPIRED.
 b) ALL TILE CONNECTIONS TO BE MADE WITH CORING MACHINE AND PLASTIC ADAPTOR OR PREFABRICATED FITTINGS.
 c) THE CONTRACTOR SHALL SUPPLY THE ENGINEER WITH A LIST SHOWING STATIONS OF ALL TILE CONNECTIONS UPON COMPLETION OF CONSTRUCTION.
- a) LAWN AREA TO BE FINE GRADED UPON COMPLETION. LANDOWNER WILL BE RESPONSIBLE FOR RESEEDING.
 b) ROAD DITCHING TO BE SEEDED AND RESTORED IN ACCORDANCE WITH SECTION "A.14" AND "B.10" IN THE SPECIFICATIONS.

PLAN LEGEND

- LIMIT OF WATERSHED AREA
- PROPOSED DRAINAGE WORKS
- EXTERIOR OR INTERIOR WATERSHED
- EXIST. MUNICIPAL DRAIN
- SURFACE WATER RUN
- BUSH AREA
- ASSESSMENT ROLL NUMBER
- OWNERS NAME
- RECTANGLES CHISEL

WINTERS DRAIN 2023

Municipality of STRATHROY-CARADOQ
 URBAN OPPORTUNITY - RURAL HOSPITALITY

Drainage Superintendent: STEVE MORRIS
 519-245-1105 EXT. 248

No.	REVISIONS	DATE

Drawn By: RK, L AV
 Date: OCT 16, 2023
 Field Book: RTS
 JOB No.: 222065
 Drawing No.: 1 of 1

PLAN, PROFILES & DETAILS

SPRIET ASSOCIATES
 LONDON CONSULTING ENGINEERS LIMITED
 155 YORK STREET - LONDON (519) 672-4100 - NEA 1A8

PROFESSIONAL ENGINEER
 M. P. DAVIS
 PROVINCE OF ONTARIO